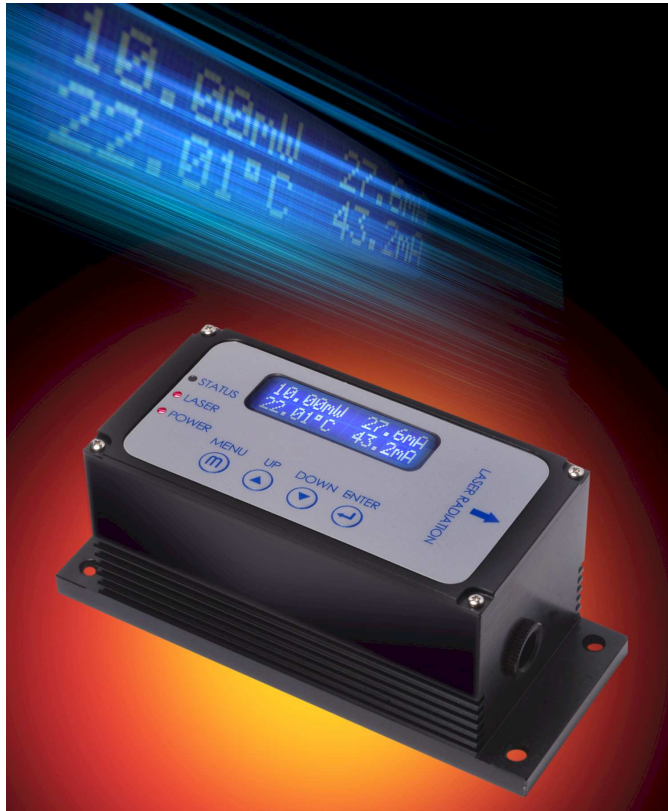


COMPACT-405

RS-232/USB instrumentation ready laser systems



COMPACT Product Features

- RS-232 or USB Controlled, Instrumentation Ready
- Integrated Laser and Electronics in a Single Package
- Excellent Power and Wavelength Stability

COMPACT Applications

- Bioanalytical
- Measurement

COMPACT is a user controlled laser system with an integrated laser and control electronics in a single compact package. The built-in LCD display shows laser operating parameters, and pushbuttons enable easy and quick manual changes of laser operation conditions.

COMPACT RS-232 interface allows the user set the laser power, temperature, and the variable laser modulation sequence using a computer.

COMPACT demonstrates excellent beam quality, power stability, laser head temperature control, and low noise for demanding applications.

Operational Hazard-Semiconductor Laser Diode Module: This laser module emits radiation that is visible and harmful to human eye. When in use, do not look directly into the laser emitting aperture. Direct viewing of laser diode emission at close range may cause eye damage.

Limited Warranty: One year. No warranty coverage for disassembly, modifications or damage due to abuse or misapplication.

Specifications

OPTICAL

Wavelength	405 nm
Optical Output Power	5-300 mW
Laser Power Stability	< 0.5%
Laser RMS Noise	< 0.5%
Polarization Ratio	> 100:1
Polarization Orientation	vertical
Beam Size (collimated)	3 mm elliptical
Divergence (full angle)	< 1 mrad
Beam Pointing Stability	< ± 10 μrad(10-40°C)
Warm-Up time	20 second

ELECTRICAL

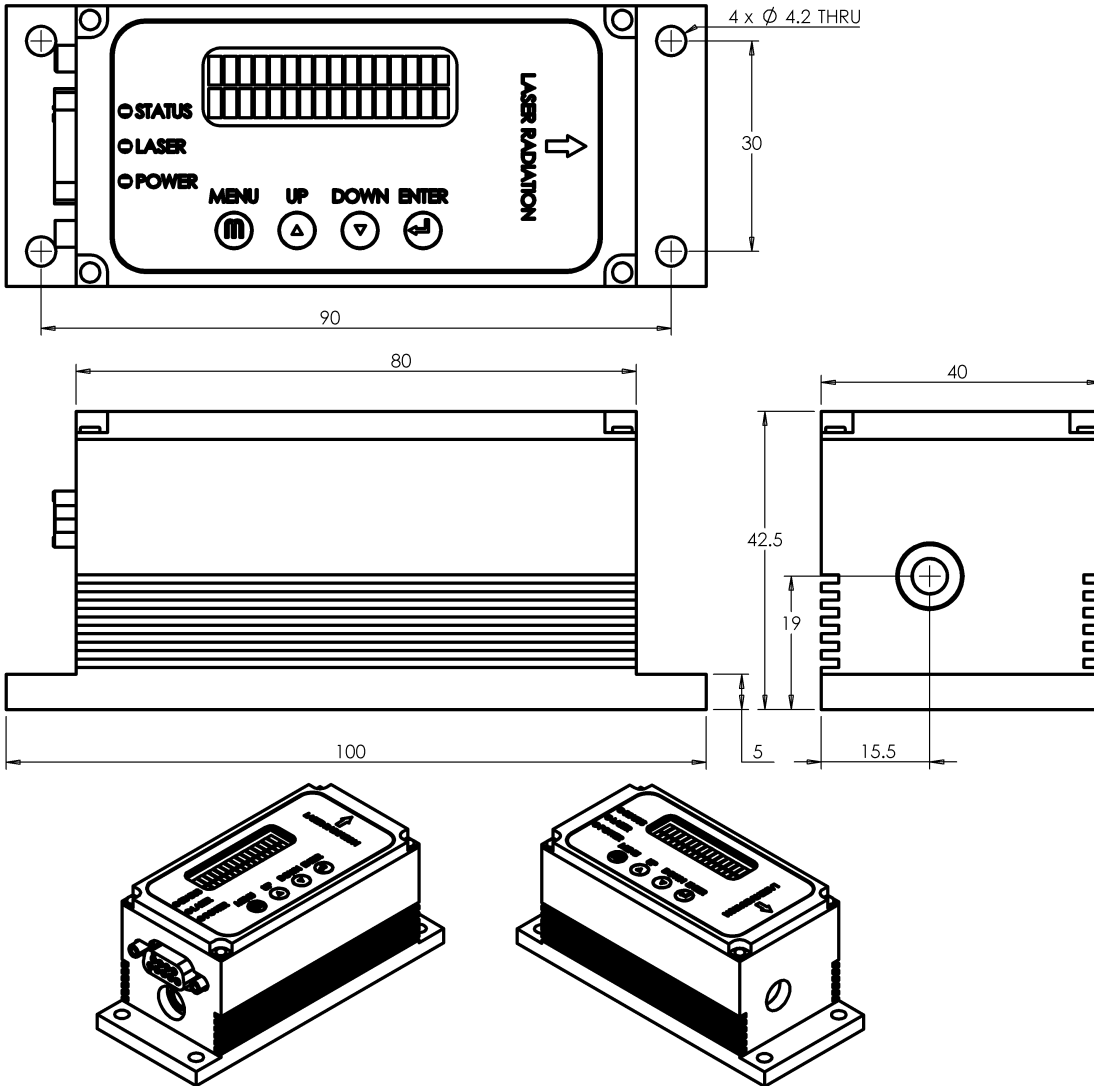
Operating Voltage	3.3 V DC
Operating Current	<1.2 A
Modulation (external)	1MHz max (depends on power)
Control Circuit	Auto Power or Constant Current; depending on output power

MECHANICAL

Dimension, mm	40 (W) x 42.5 (H) x 100 (L)
Operating Temperature	+10°C to +40°C
Storage Temperature	-40°C to +80°C
Heat Sink Requirements	Recommended for extended use

COMPACT-405

COMPACT Mechanical Dimensions



COMPACT-405 Ordering Information

Part No	Power	Max Modulation (external)
COMPACT-5G-405	5 mW	1 MHz
COMPACT-10G-405	10mW	1MHz
COMPACT-30G-405	30mW	3KHz
COMPACT-50G-405	50mW	3KHz
COMPACT-100G-405	100 mW	3KHz
COMPACT-150G-405	150 mW	3KHz
COMPACT-300G-405	300 mW	3KHz

Note: Circular beam option is also available for COMPACT –405. Max power with circular beam will be 50mW. The part number will have a “GC” instead of “G” after the power. Eg – COMPACT-50GC-405 (50mW, circular beam)