

COMPACT-MULTIWAVE LASER WITH FC CONNECTOR



COMPACT-MULTIWAVE Product Features

- 3 Laser Wavelengths in a Single Package
- Single Fiber Delivery
- Independent Control of Each Laser

COMPACT-MULTIWAVE Applications

- Bioanalytical
- Measurement & Inspection

COMPACT-MULTIWAVE is a user controlled laser with an integrated laser and control electronics in a single compact package.

The built-in touch-screen display controls and displays complete laser operating parameters.

COMPACT-MULTIWAVE allows the user to set the laser power & temperature; scan the laser power and modulate the laser using a built-in internal function generator up to 1 Mhz. External modulation is up to 20 Mhz.

COMPACT-MULTIWAVE demonstrates excellent beam quality, power stability, laser temperature control, and low noise for demanding applications.

Operational Hazard-Semiconductor Laser Diode Module: This laser module emits radiation that is visible/invisible and harmful to human eye. When in use, do not look directly into the laser emitting aperture. Direct viewing of laser diode emission at close range may cause eye damage.

Limited Warranty: One year. No warranty coverage for disassembly, modifications or damage due to abuse or misapplication.

Specifications

OPTICAL

Wavelength	405 to 780 nm
Optical Output Power	Depends on Wavelength
Laser Power Stability	< 0.5%
Laser RMS Noise	< 0.5%
Polarization Ratio	> 100:1
Modulation	Internal up to 1Mhz. External up to 20 MHz.
Laser Exit	FC connector (50 micron fiber)

Beam Pointing Stability	< ± 10 μrad(10-40°C)
Warm-Up Time	20 second

ELECTRICAL

Operating Voltage	3.3 V DC
Operating Current	<1.2 A
Control Circuit	Constant Current

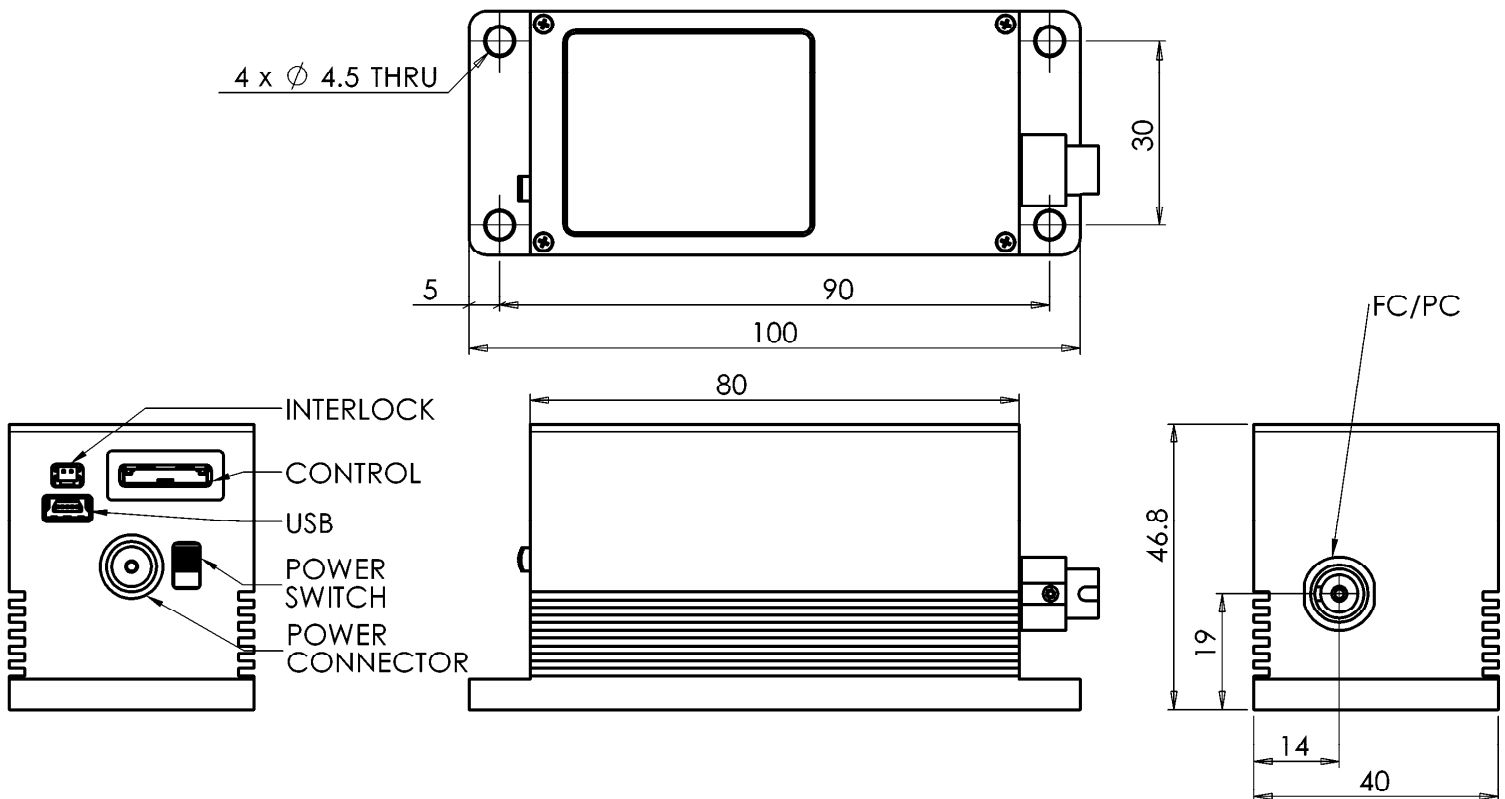
MECHANICAL

Dimension, mm	40 (W) x 46.8 (H) x 100 (L)
Operating Temperature	+10°C to +40°C
Storage Temperature	-40°C to +80°C
Heat Sink Requirements	Recommended for extended use



COMPACT-MULTIWAVE LASER WITH FC CONNECTOR

COMPACT-MULTIWAVE Mechanical Dimensions



Available wavelengths and laser powers

405 nm up to 100 mW
 473 nm up to 50 mW
 488 nm up to 50 mW
 515 nm up to 30 mW
 520 nm up to 60 mW
 525 nm up to 50 mW
 633 nm up to 70 mW
 635 nm up to 70 mW
 637 nm up to 50 mW
 638 nm up to 50 mW
 642 nm up to 50 mW
 660 nm up to 100 mW
 670 nm up to 10 mW
 685 nm up to 40 mW
 705 nm up to 30 mW
 730 nm up to 30 mW
 780 nm up to 50 mW