

COMPACT-488

RS-232/USB Instrumentation Ready Laser System



COMPACT Product Features

- RS-232 or USB Controlled, Instrumentation Ready
- Integrated Laser and Electronics in a Single Package
- Excellent Power and Wavelength Stability

COMPACT Applications

- Bioanalytical
- Measurement

COMPACT is a user controlled laser system with an integrated laser and control electronics in a single compact package. The built-in LCD display shows laser operating parameters, and pushbuttons enable easy and quick manual changes of laser operation conditions.

COMPACT RS-232 interface allows the user set the laser power, temperature, and the variable laser modulation sequence using a computer.

COMPACT demonstrates excellent beam quality, power stability, laser head temperature control, and low noise for demanding applications.

Operational Hazard-Semiconductor Laser Diode Module: This laser module emits radiation that is visible and harmful to human eye. When in use, do not look directly into the laser emitting aperture. Direct viewing of laser diode emission at close range may cause eye damage.

Limited Warranty: One year. No warranty coverage for disassembly, modifications or damage due to abuse or misapplication.

Specifications

OPTICAL

Wavelength	488 nm
Optical Output Power	5-150 mW
Laser Power Stability	< 0.5%
Laser RMS Noise	< 0.5%
Polarization Ratio	> 100:1
Polarization Orientation	vertical
Beam Size (collimated)	3 mm elliptical
Divergence (full angle)	< 1 mrad
Beam Pointing Stability	< ± 10 μrad(10-40°C)
Warm-Up time	< 1min

ELECTRICAL

Operating Voltage	3.3 V DC
Operating Current	<1.2 A
Control Circuit	Constant Current Control or Auto Power Control (depends on power)

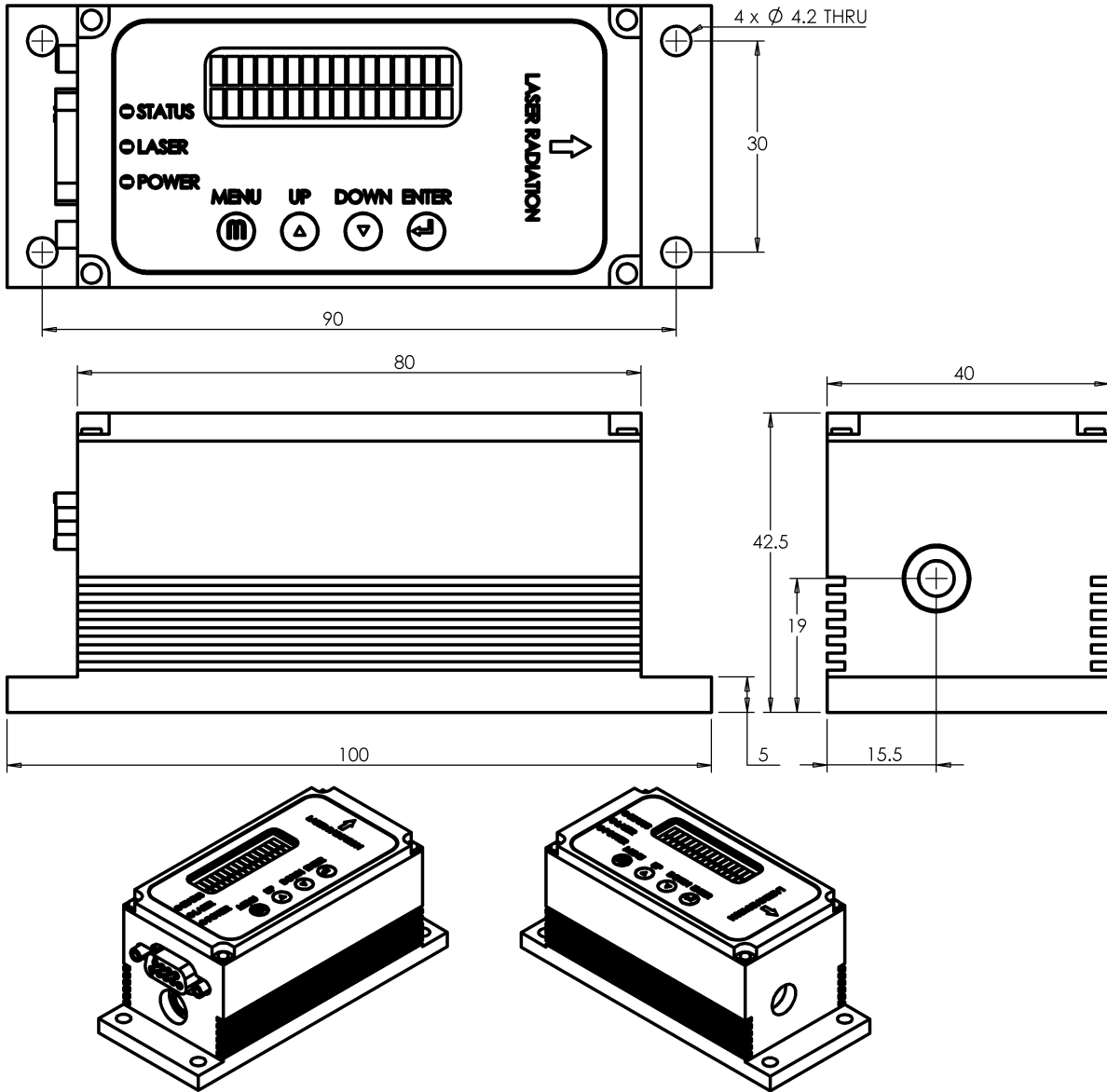
MECHANICAL/ENVIRONMENTAL

Dimension, mm	40 (W) x 42.5 (H) x 100 (L)
Operating Temperature	+10°C to +40°C
Storage Temperature	-40°C to +80°C
Heat Sink Requirements	Recommended for extended use



COMPACT-488

COMPACT Mechanical Dimensions



COMPACT-488 Ordering Information

Part# COMPACT-pppG(c)-λλλ

Option	Meaning	Values
ppp	Laser output power (mW)	5, 10, 30, 50, 100, 150
(c)	Circular laser diode beam (optional)	C
λλλ	Wavelength (nm)	488+/- 5 nm

Example Part # for 30 mW, circular, 488 nm laser : COMPACT-30GC-488

