

COMPACT-488

RS-232/USB instrumentation ready laser systems



COMPACT Product Features

- RS-232 or USB Controlled, Instrumentation Ready
- Integrated Laser and Electronics in a Single Package
- Excellent Power and Wavelength Stability

COMPACT Applications

- Bioanalytical
- Measurement

COMPACT is a user controlled laser system with an integrated laser and control electronics in a single compact package. The built-in LCD display shows laser operating parameters, and pushbuttons enable easy and quick manual changes of laser operation conditions.

COMPACT RS-232 interface allows the user set the laser power, temperature, and the variable laser modulation sequence using a computer.

COMPACT demonstrates excellent beam quality, power stability, laser head temperature control, and low noise for demanding applications.

Operational Hazard-Semiconductor Laser Diode Module: This laser module emits radiation that is visible and harmful to human eye. When in use, do not look directly into the laser emitting aperture. Direct viewing of laser diode emission at close range may cause eye damage.

Limited Warranty: One year. No warranty coverage for disassembly, modifications or damage due to abuse or misapplication.

Specifications

OPTICAL

Wavelength	488 nm
Optical Output Power	5-150 mW
Laser Power Stability	< 0.5%
Laser RMS Noise	< 0.5%
Polarization Ratio	> 100:1
Polarization Orientation	vertical
Beam Size (collimated)	3 mm elliptical
Divergence (full angle)	< 1 mrad
Beam Pointing Stability	< ± 10 μrad(10-40°C)
Warm-Up time	20 second

ELECTRICAL

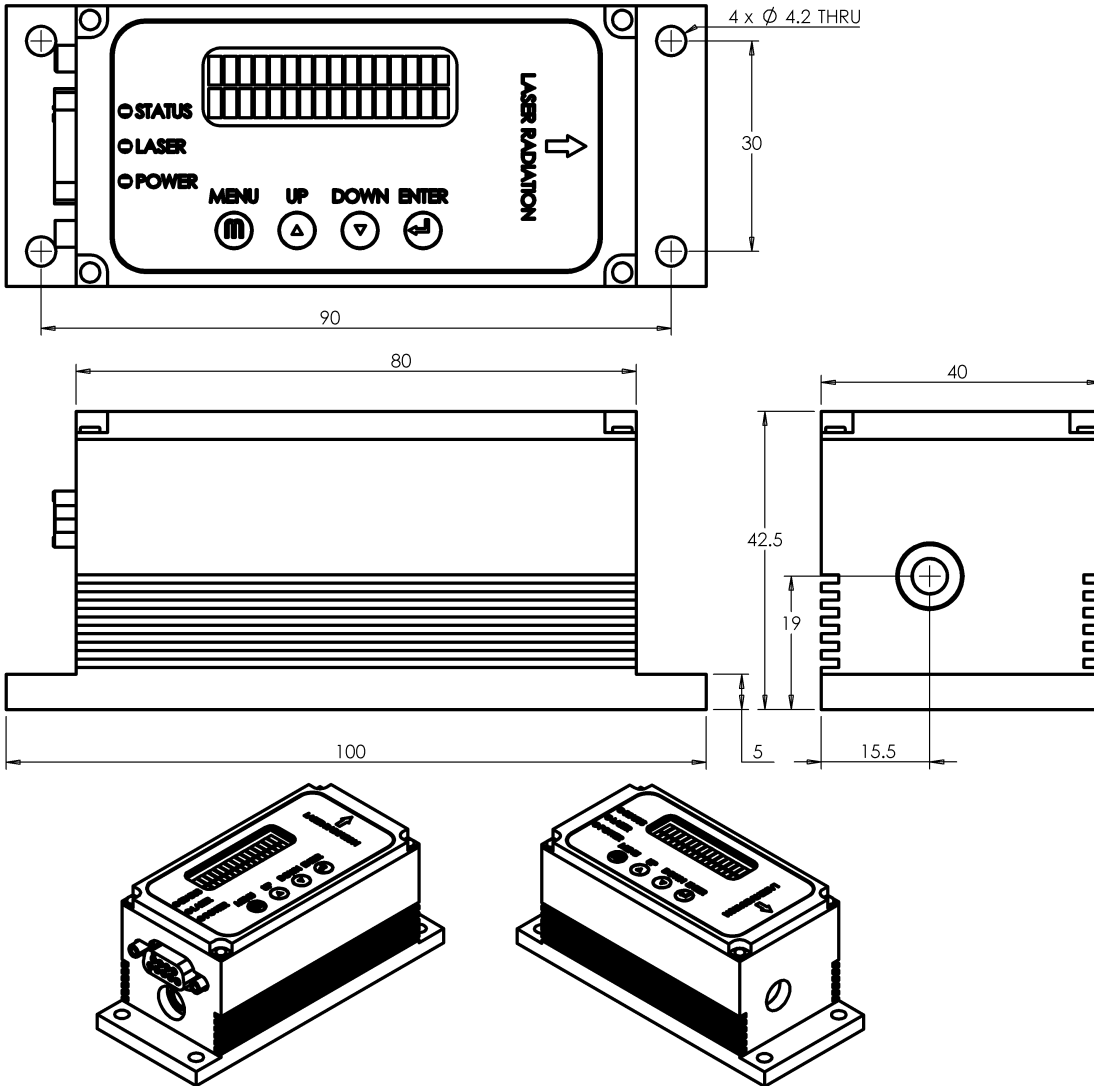
Operating Voltage	3.3 V DC
Operating Current	<1.2 A
Modulation (external)	1MHz
Control Circuit	Auto Power Control

MECHANICAL

Dimension, mm	40 (W) x 42.5 (H) x 100 (L)
Operating Temperature	+10°C to +40°C
Storage Temperature	-40°C to +80°C
Heat Sink Requirements	Recommended for extended use

COMPACT-488

COMPACT Mechanical Dimensions



COMPACT-488 Ordering Information

Part No	Power	Max Modulation (external)
COMPACT-5G-488	5 mW	1MHz
COMPACT-10G-488	10mW	1MHz
COMPACT-30G-488	30mW	1MHz
COMPACT-50G-488	50mW	1MHz
COMPACT-100G-488	100 mW	1 MHz
COMPACT-150G-488	150 mW	1MHz

Note: Circular beam option is also available for COMPACT -488. Max power with circular beam will be 60mW. The part number will have a "GC" instead of "G" after the power. Eg – COMPACT-30GC-488 (30mW, circular beam)